



Potentiometer

## Technical data

Potentiometer Type 418 8131		
	Complete certificate <sup>1)</sup>	Component certificate
Marking accd. to 94/9/EC	Ⓔ II 2 G Ex de IIC T6	Ⓔ II 2 G Ex de IIC/IIB Gb Ⓔ I M2 Ex de I Mb
EC-Type Examination Certificate	PTB 99 ATEX 1034	IBExU 14 ATEX 1030 U
IECEX Certificate of Conformity		IECEX IBExU 14.0005 U
Marking accd. to IECEx		Ex de IIC/IIB Gb Ex de I Mb
Operating temperature range	-55°C up to + 80 °C	-45 °C up to +80 °C (IIC) -60 °C up to +80 °C (IIB)
Permissible ambient temperature	-55 °C up to + 50 °C	
Application temperature <sup>2)</sup>		-45 °C up to +55 °C (IIC) -60 °C up to +55 °C (IIB)
Rated voltage	up to 250 V AC	up to 250 V AC
Power consumption (VA)	max. 1 W	max. 1 W
Resistance range	100 - 10000 Ω	100 - 10000 Ω
Tolerance	± 20 %	± 20 %
Connecting terminals	2 x 2.5 mm <sup>2</sup>	2 x 2.5 mm <sup>2</sup>
Degree of protection accd. to EN 60529	IP66 <sup>1)</sup>	IP00
Dimensions (L x W x H)	101 x 38 x 57 mm	150 x 38 x 57 mm
Weight	0.20 kg	0.15 kg
Type of mounting	Ø 30.3 mm fixing hole	Ø 30.3 mm fixing hole
Enclosure colour	grey	grey
Angle of rotation	270°	270°
Scale	0 - 100 %	0 - 100 %

<sup>1)</sup> with protective cover IP66

<sup>2)</sup> The limits of the operating temperature range and the max. permissible temperature rise of the components have to be taken into account. See also pages 2.4.34/35.

## Ex-control and signal units for panel mounting



Potentiometer

4

### Ordering code for component (Code 2) Code A - B

A                      B  
GHG 418 8131 R00    —

Code	Component	Code
A	Potentiometer	GHG 418 8131

Code	Resistance	Code
B	0 - 100 Ohm	11
	0 - 220 Ohm	12
	0 - 470 Ohm	13
	0 - 1000 Ohm	14
	0 - 2200 Ohm	17
	0 - 4700 Ohm	15
	0 - 10000 Ohm	16

### Example for ordering code (Code 2)

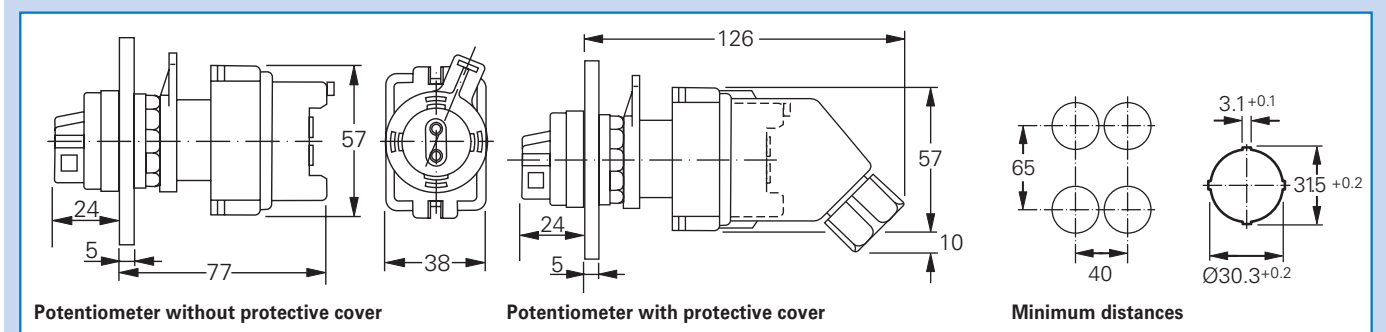
Content	Order No.	
	A	B
<b>Potentiometer 1 W 25 % tolerance, without protective cover</b>		
0 - 100 Ohm	GHG 418 8131	R 0011
0 - 220 Ohm	GHG 418 8131	R 0012
0 - 470 Ohm	GHG 418 8131	R 0013
0 - 1000 Ohm	GHG 418 8131	R 0014
0 - 2200 Ohm	GHG 418 8131	R 0017
0 - 4700 Ohm	GHG 418 8131	R 0015
0 - 10000 Ohm	GHG 418 8131	R 0016

### Accessories

Type	OU	Order No.
Protective cover to meet IP66	5	GHG 410 1939 R0002

Please pay attention that only order units (OU) according to the ordering details can be delivered.

### Dimension drawing



Dimensions in mm