

3-pole EMERGENCY STOP

3-pole

Technical data

Ex-Safety switch 10 A	
Marking to 94/9/EC	Ⓔ II 2 G Ex ed IIC T6 / Ⓔ II 2 D Ex tD A21 IP66 T80 °C
EC-Type Examination Certificate	PTB 00 ATEX 1074
IECEX Certificate of Conformity	BKI 07.0014
Marking accd. to IECEx	Ex ed IIC T6 Ex tD A21 IP66 T53 °C
Permissible ambient temperature	-20 °C to +40 °C ¹⁾
Rated voltage	up to max. 500 V
Rated current	max. 10 A
Frequency	50/60 Hz
Rated making-/breaking capacity AC-3 accd. to EN 60947-3	U _e 230 V / I _e 10 A U _e 400 V / I _e 10 A U _e 500 V / I _e 10 A
Back-up fuse	up to 400 V AC: 20 A gL up to 500 V AC: 16 A gL
Connecting terminals	Main contact 2 x 1.5 - 2.5 mm ² Auxiliary-/Signal contact 2 x 0.5 - 2.5 mm ²
Degree of protection accd. EN 60529	IP66
Insulation class	I
Cable glands/enclosure drilling	M20 (d = 5 - 13 mm) see ordering details M25 (d = 8 - 17 mm) see ordering details
Weight	0.55 kg
Enclosure material	impact resistant polyamide
Enclosure colour	black
Auxiliary contact	1 x NO making - lagging; breaking - leading
Padlocking	can be locked in OFF position with 3 commercially available padlocks

¹⁾ Other ambient temperatures on request

Ex-Safety switches



3-pole

3-pole EMERGENCY STOP

Ordering details

Version	Cable gland	Order No.
3-pole	2 x M25 / 1 x M 20	GHG 261 0005 R0009
3-pole	2 x M20	GHG 261 0005 R0005
3-pole EMERGENCY STOP	2 x M25 / 1 x M 20	GHG 261 0005 R0010

Customized version on request, auxiliary contacts in Ex ia available

Accessories

Mounting plate for Ex-safety switch 10 A 3-pole

Type	Application	Fixing method	Order No.
Size 1	Wall mounting	screw-on	GHG 610 1953 R0101
Size 1	Pipe mounting	screw-on	GHG 610 1953 R0102
Size 1	Trellis mounting	screw-on	GHG 610 1953 R0103

Accessories for mounting plates

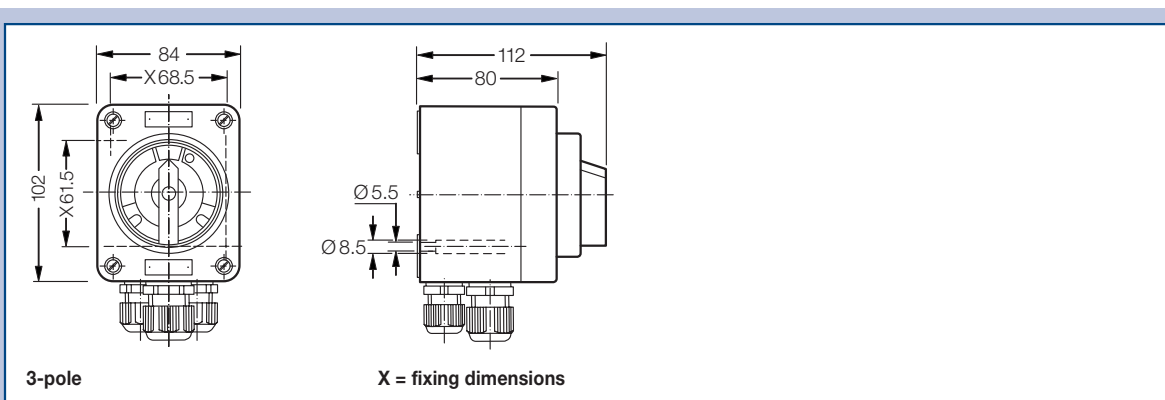
Type	OU	Order No.
Label holder with label (unlabelled) for mounting plates size 1, 2, 2A and 3	10	GHG 610 1953 R0057
Installation kit for pipes 1" (of 27 - 30 mm) for label holder for pipe mounting	10	GHG 610 1953 R0020

Accessories for canopies plates

Type	Application	OU	Order No.
Size 1	for mounting plates size 1	1	GHG 610 1955 R0101

Please note that we can only deliver in the ordering units (OU) stated in the tables above

Dimensions



Dimensions in mm