

EX - TERMINAL ENCLOSURES

Stainless Steel Version for Zone 1, 2, 21 and 22

S-TB

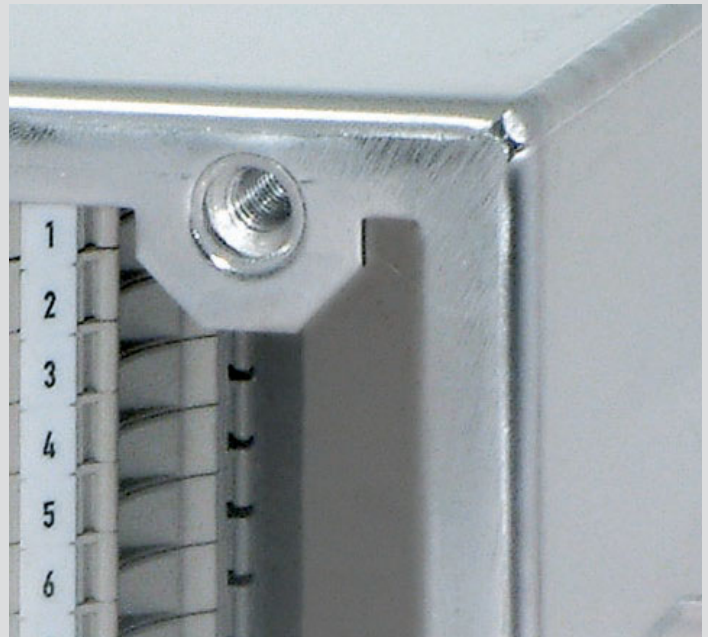
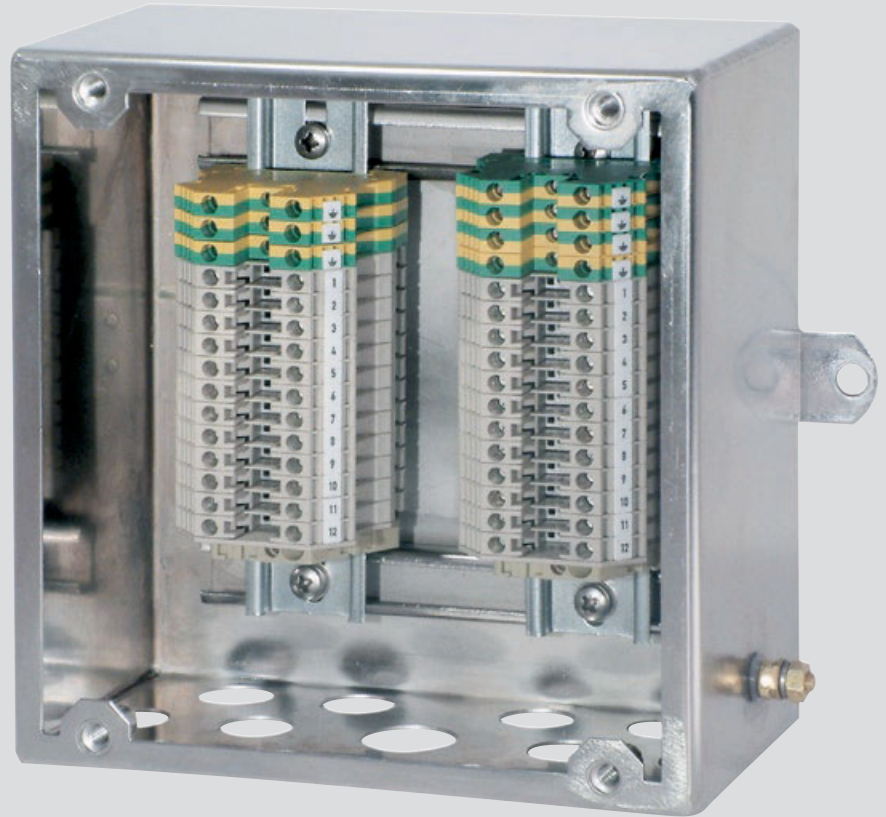
The **ST-B** range is an "ATEX certified" terminal box solution available in various options of materials and finishes fully compliant with the impact, thermal and ingress requirements of EN 60079-0 ff. and EN 6124-0 ff. and is available in a comprehensive range of 12 different sizes. With for the possibilities many configuration for a multitude of applications. Using the highest quality materials, unique design benefits and precision manufacturing the **S-TB** range is the benchmark in heavy-duty gauge enclosures of its class.

ST-B has unique wrap-round lid cover design that wraps around the body of the enclosures eliminate ingress of both liquids and dusts such as sand. This design provides a significant advantage as the gasket sealing area is not exposed to the external environment, preventing contamination from ice formations and abrasion of sand storms. The lid cover is secured and sealed to IP66 by the retained stainless steel bolts around the outside of the enclosure, whilst being supported a floppy hinge that allow the lid cover to be removed.

The superior quality-one piece Chloroprene closed cell gasket material that maintains the enclosures high ingress protection integrity providing IP66. This material has a wide operating temperature range for the most hostile environments.

The body of the **ST-B** enclosure has a superior wide surface area gasket sealing area 10 mm wide compared to conventional enclosures that use a knife-edge seal, that is only the thickness of the material, typically only 1.5 mm.

- 316L Stainless Steel (1.4404 to EN 10088) Superior "corrosion resistant" electro chemically polished.
- Sheet Steel - Polyester powder coated to RAL 7032
- Foamed silicone gasket
- Safety standard IP66
- Extended ambient temperatures -40 °C to +55 °C as option
- Certification TR-CU, AEx, cULus and Germanischer Lloyd on request





S-TB

S-TB

Technical data

Type S-TB terminal boxes

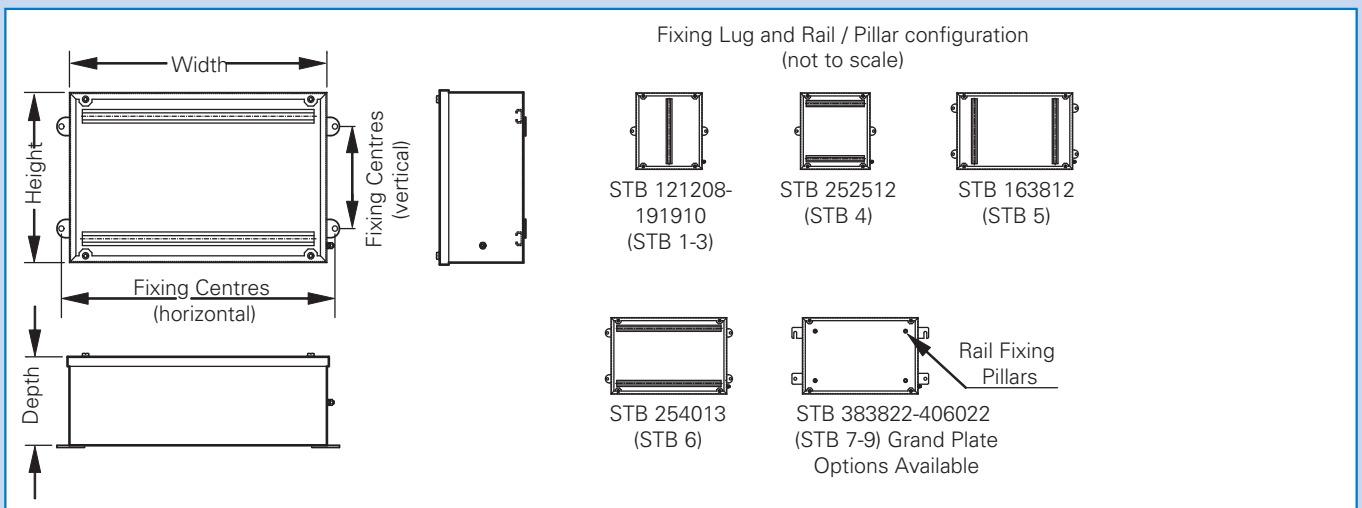
Marking accd. to 94/9/EC	II 2 G Ex e IIC Gb II 2 D Ex tb IIIC Db
Temperature class	T6 up to +40 °C / T5 up to +55 °C
EC-Type Examination Certificate	BVS 13 ATEX E 015 U
Application temperature	-30 °C to +40 °C -40 °C to +55 °C (option)
IECEX Certificate of Conformity	IECEX BVS 13.0025U
Marking accd. to IECEx	Ex e IIC Gb Ex tb IIIC Db
Rated voltage	up to 690 V*
Rated current	up to 500 A*
Connecting terminals	up to 240 mm ² *
Protection class	I
Degree of protection accd. to EN 60529	IP66
Cable glands/gland plates/enclosure drilling	up to 4 side optional gland plate combination with entries to meet requirements (38/38/20 - 60/40/20) combination with entries to meet requirements
Type of mounting	S-TB 12/12/08 - 25/25/12 2 welded lugs with Ø 8 mm holes S-TB 16/38/12 - 25/40/13 4 welded lugs with Ø 8 mm holes S-TB 38/38/22 - 60/40/20 4 welded lugs with Ø 11 mm holes
Enclosure material	Stainless steel 316 L or 304
Material thickness	1.5 mm
Components mounting	12/12/08 - 25/40/13 internally welded TAS 20 rail for terminals mounting 38/38/20 - 60/40/20 4 x stand of pillars Ø 9 mm, 25 mm height, thread M6 x 10, for rail or mounting plate
Enclosure earth	12/12/08 - 25/40/13 M6 external/internal earth stud assembly 38/38/20 - 60/40/20 M10 external/internal earth stud assembly
Gasket material	Silikon-gasket

* depending on type of terminal and Ex-components used

Additional certifications:

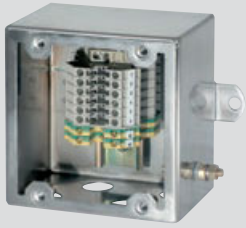
TR-CU and cUL_{Us} types 3S, 4, 4 x on request.

Dimension drawing



Dimensions in mm

Ex-e terminal enclosures



S-TB



S-TB

Ordering details S-TB up to 3 x 51 terminals

S-TB	Dimensions ¹⁾ H x W x D in mm	Rail fixing centres ¹⁾ vertical x horizontal	Weight in kg (empty enclosure)	Terminal rail		Terminal content					
				Rail fixing centres	Rail length	Row orientation vertical					
Size				vert.	horiz.	vert.	horiz.	2.5 (6)	4 (6.5)	6 (8)	10 (10)
Enclosure dimensions and terminal content											
S-TB 1	120x120x 80	145x145	1.4	62	82	1x 8	1x 6	1x 5	1x 4		
S-TB 2	150x150x 90	175x175	1.9	90	110	1x13	1x11	1x 8	1x 7		
S-TB 3	190x190x100	215x215	3.0	130	150	1x21	1x18	1x13	1x10		
S-TB 4	250x250x120	275x275	3.7	180	200	2x31	2x26	2x19	2x15		
S-TB 5	160x380x130	80x405	3.7	300	320	1x55	1x46	1x34	1x28		

S-TB	Available glanding area			Max. entry guide (metric)							Order No. ⁴⁾
	Top & bottom	left	right	Top & bottom / left / right							
Size	(with gland plates fitted) in mm			M16	M20	M25	M32	M40	M50	M63	

Gland entry detail											
S-TB 1	114x 63	114x 63	70x 63	7/7/4	3/3/1	2/2/1	2/2/1	-	-	-	STBS1121208
S-TB 2	144x 73	144x 73	100x 73	9/9/6	6/6/4	3/3/2	2/2/1	2/2/1	-	-	STBS1151509
S-TB 3	184x 83	184x 83	140x 83	18/18/14	8/8/6	7/7/5	3/3/2	2/2/2	2/2/1	-	STBS1191910
S-TB 4	244x103	244x103	200x103	32/32/26	18/18/14	10/10/8	7/7/6	3/3/3	3/3/2	2/2/2	STBS1252512
S-TB 5	372x103	154x103	330x103	50/20/44	29/11/24	15/6/14	12/4/10	5/2/5	4/1/4	3/1/3	STBS1254013

Options											
S-TB with gland 1 plate ³⁾	STB <u>S</u> 1XXYYZZ 1			S-TB with additional UL CERT				STB <u>S</u> 1XXYYZZ UL			
S-TB with gland 3 plate ³⁾	STB <u>S</u> 1XXYYZZ 3										

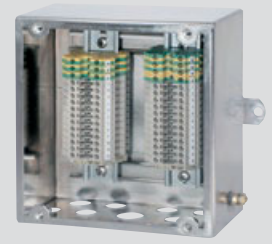
Type	Order No.
Example	
S-TB 2 with 3 gland plate and UL-certification	STBS1151509-UL

The information provided is based on the physical constraints of the enclosure. Please refer to the certificate for hazardous area applications.

Note: 1. Dimension drawing see page 2.2.51

3. Only this types includes UL-Certification and can be ordered with 1 or 3 gland plates

4. Refer to „OPTIONS“ for ordering key



S-TB

Ordering details S-TB up to 5 x 79 terminals

S-TB	Dimensions ¹⁾ H x W x D in mm	Rail fixing centres ¹⁾ vertical x horizontal	Weight in kg (empty enclosure)	Terminal rail				Terminal content			
				Rail fixing centres		Rail length		Row orientation vertical			
Size				vert.	horiz.	vert.	horiz.	2.5 (6)	4 (6.5)	6 (8)	10 (10)
Enclosure dimensions and terminal content											
S-TB 6	250x400x130	150x425	5.4	180	200	3x31	3x26	3x19	3x15		
S-TB 7 ²⁾	380x380x220	250x435	8.5	280	300	3x42	3x39	3x32	3x25		
S-TB 8	480x480x200	340x535	10.5	380	400	4x61	4x56	4x46	4x36		
S-TB 9 ²⁾	600x400x220	464x456	13.0	500	520	5x79	5x73	5x59	5x47		

S-TB	Available glanding area			Max. entry guide (metric)							Order No. ³⁾
	Top & bottom	left	right	Top & bottom / left / right							
Type	(with gland plates fitted) in mm			M16	M20	M25	M32	M40	M50	M63	
Gland entry detail											
S-TB 6	394x113	244x113	350x113	54/32/48	30/18/26	16/10/14	13/7/11	6/3/5	5/3/4	4/2/3	STBS12540200
S-TB 7 ²⁾	374x203	374x203	324x203	100/100/88	57/57/48	40/40/33	24/24/20	15/15/12	8/8/7	6/6/5	STBS13838220
S-TB 8	474x183	474x183	474x183	124/124/118	78/78/74	54/54/50	30/30/28	20/20/18	11/11/9	10/10/8	STBS14848200
S-TB 9 ²⁾	337x124	337x124	337x124	108/164/152	60/93/84	40/65/60	26/40/38	17/26/23	9/14/13	7/11/10	STBS16040220

Options	
S-TB with gland 1 plate ²⁾	STB <u>S</u> 1XXYYZZ 1
S-TB with gland 3 plate ²⁾	STB <u>S</u> 1XXYYZZ 3
S-TB with additional UL CERT	STB <u>S</u> 1XXYYZZ UL

Type	Order No.
Example	
S-TB 7 316L SS with 3 gland plate incl. UL-certification	STBS13838223

The information provided is based on the physical constraints of the enclosure. Please refer to the certificate for hazardous area applications.

- Note:**
1. Dimension drawing see page 2.2.51
 2. Only this types includes UL-Certification and can be ordered with 1 or 3 gland plates
 3. Refer to „OPTIONS“ for ordering key