

**| 10A 21-pole up to 250 V |**

1



Wall socket



Plug

**Technical data**

**Ex-plugs and receptacles, 21-pole**

|  |  |
|--|--|
| Marking accd. to 94/9/EC               | II 2 G Ex e II T6  |
| EC-Type Examination Certificate        | PTB 00 ATEX 1109   |
| Permissible ambient temperature        | -20 °C to + 40 °C  |
| Rated voltage                          | 250 V AC   |
| Rated current                          | 10 A   |
| Frequency                              | up to 400 Hz   |
| External back up fuse                  | without therm. protection: 10 A<br>with therm. protection: 16 A gL (rated current 10 A set to) |
| Protection class                       | I  |
| Degree of protection accd. to EN 60529 | IP65   |
| Enclosure colour                       | black  |

**Wall socket**

|                                |   |
|--------------------------------|---|
| Cable entry/enclosure drilling | 1 x M40 Ø 17 - 28 mm, 1 x M32 metal thread with plastic Ex-screw plug |
| Connecting terminals           | 1 x 1.0 - 2.5 mm <sup>2</sup>   |
| Enclosure material             | glass-fibre reinforced polyester                                      |

**Plug**

|                      |  |
|----------------------|--|
| Cable entry          | Ø 19 - 28 mm   |
| Connecting terminals | 1 x 1.0 - 2.5 mm <sup>2</sup> crimp or solder connection <sup>1)</sup> |
| Enclosure material   | Polyamide  |

<sup>1)</sup> Please use appropriate crimp tool



Plug



Wall socket

1

### Ordering details

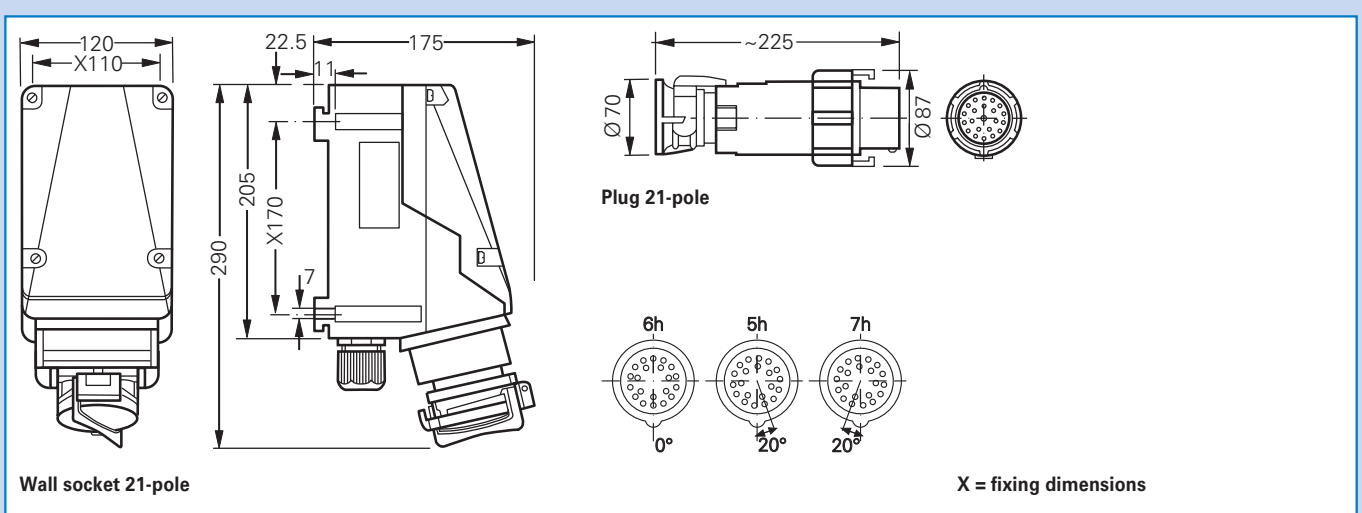
| Type                     | h   | Cable gland | Weight | Order No.          |
|--------------------------|-----|-------------|--------|--------------------|
| <b>Type 10 A 21-pole</b> |     |             |        |                    |
| Wall socket              | 5 h | KU          | 1.8 kg | GHG 511 4905 R0001 |
| Wall socket              | 5 h | ME          | 1.9 kg | GHG 511 4905 R3001 |
| Plug                     | 5 h |             | 0.7 kg | GHG 591 2201 R0001 |
| Wall socket              | 6 h | KU          | 1.8 kg | GHG 511 4906 R0001 |
| Wall socket              | 6 h | ME          | 1.9 kg | GHG 511 4906 R3001 |
| Plug                     | 6 h |             | 0.7 kg | GHG 591 2201 R0002 |
| Wall socket              | 7 h | KU          | 1.8 kg | GHG 511 4907 R0001 |
| Wall socket              | 7 h | ME          | 1.9 kg | GHG 511 4907 R3001 |
| Plug                     | 7 h |             | 0.7 kg | GHG 591 2201 R0003 |

| Type                                   | Application          | Fixing method | Order No.          |
|--|----------------------|---------------|--------------------|
| <b>Accessories</b>                     |                      |               |                    |
| Plug cap 21-pole                       |                      |               | GHG 530 1935 R0008 |
| Mounting plate size 5                  | for wall mounting    | snap on       | GHG 610 1953 R0128 |
| Mounting plate size 5                  | for trellis mounting | snap on       | GHG 610 1953 R0128 |
| Mounting plate size 5                  | for pipe clamp       | snap on       | GHG 610 1953 R0132 |
| Socket bushes 1 set = 7 pcs.           |                      |               | GHG 590 1301 R0102 |
| Plug pins 1 set = 7 pcs.               |                      |               | GHG 590 1302 R0102 |
| Ex-crimping tool for sockets and pins  |                      |               | GHG 590 1902 R0001 |
| Dismanteling tool for sockets and pins |                      |               | GHG 590 1903 R0001 |

KU = 1 x plastic cable glands M40 for Ø 17-28 mm

ME = 1 x metal thread M32 with plastic Ex-screw plug

### Dimension drawing | Coding



Dimensions in mm