



Plug

Wall socket

1

## Technical data

### Ex-plugs and receptacles acc. to IEC 60309-1/2

Marking accd. to 94/9/EC	⊕ II 2 G Ex de IIC T6 / ⊕ II 2 D Ex tD A21 IP66 T80 °C
EC-Type Examination Certificate	PTB 01 ATEX 1069
IECEX Certificate of Conformity	IECEX BK1 04.0005
Marking accd. to IECEx	Ex ed IIC T6
Permissible ambient temperature	-20 °C to + 40 °C <sup>1)</sup>
Rated voltage	690 V
Rated current	125 A
Frequency	up to 400 Hz
Rated making / Rated breaking capacity AC-3 accd. EN 60947-3	U <sub>e</sub> 690 V / I <sub>e</sub> 125 A
External back up fuse	without therm. protection: 125 A with therm. protection: 160 A gL (rated current 125 A set to)
Protection class	I
Degree of protection accd. to EN 60529	IP66
Enclosure colour	black

### Wall socket

Cable entry/enclosure drilling	1 x M63 Ø 27 - 48 mm, 1 x M63 plastic Ex-screw plug or 2 x M50 metal thread with 2 plastic Ex-screw plug
Connecting terminals	2 x 4 - 70 mm <sup>2</sup> / with ring cable lug <sup>2)</sup> 1 x 120 mm <sup>2</sup>
Enclosure material	glass-fibre reinforced polyester

### Plug

Cable entry	Ø 31 - 55 mm
Connecting terminals	1 x 4 - 35 mm <sup>2</sup> / with pin cable lug <sup>3)</sup> 1 x 50 mm <sup>2</sup>
Enclosure material	Polyamide

<sup>1)</sup> extended temperature range on request

<sup>2)</sup> use supplied cable lugs

<sup>3)</sup> see accessories

## 125 A 4- and 5-pole up to 690 V



Wall socket

Plug

Plug cap

### Ordering details

Voltage	h	Type	Aux. contact	Cable entry	Weight approx.	Order No.
<b>Type 125 A 4-pole</b>						
200-250 V		Wall socket	-	KU	12.3 kg	<b>GHG 515 4409 R0001</b>
		Wall socket	-	ME	12.5 kg	<b>GHG 515 4409 R3001</b>
		Wall socket	yes	KH	12.5 kg	<b>GHG 515 4409 R0501</b>
		Plug	-	-	0.9 kg	<b>GHG 515 7409 R0001</b>
380-415 V		Wall socket	-	KU	12.3 kg	<b>GHG 515 4406 R0001</b>
		Wall socket	-	ME	12.5 kg	<b>GHG 515 4406 R3001</b>
		Wall socket	yes	KH	12.5 kg	<b>GHG 515 4406 R0501</b>
		Wall socket	-	GM	8.2 kg	<b>GHG 515 4406 R3003</b>
		Plug	-	-	0.9 kg	<b>GHG 515 7406 R0001</b>
480-500 V		Wall socket	-	KU	12.3 kg	<b>GHG 515 4407 R0001</b>
		Wall socket	-	ME	12.5 kg	<b>GHG 515 4407 R3001</b>
		Wall socket	yes	KH	12.5 kg	<b>GHG 515 4407 R0501</b>
		Wall socket	-	GM	8.2 kg	<b>GHG 515 4407 R3002</b>
		Plug	-	-	0.9 kg	<b>GHG 515 7407 R0001</b>
600-690 V		Wall socket	-	KU	12.3 kg	<b>GHG 515 4405 R0001</b>
		Wall socket	-	ME	12.5 kg	<b>GHG 515 4405 R3001</b>
		Wall socket	yes	KH	12.5 kg	<b>GHG 515 4405 R0501</b>
		Wall socket	-	GM	8.2 kg	<b>GHG 515 4405 R3002</b>
		Plug	-	-	0.9 kg	<b>GHG 515 7405 R0001</b>

<b>Type 125 A 5-pole</b>						
200-250 V 380-415 V		Wall socket	-	KU	13.0 kg	<b>GHG 515 4506 R0001</b>
		Wall socket	-	ME	13.2 kg	<b>GHG 515 4506 R3001</b>
		Wall socket	yes	KH	13.2 kg	<b>GHG 515 4506 R0501</b>
		Wall socket	-	GM	8.2 kg	<b>GHG 515 4506 R3005</b>
		Plug	-	-	1.2 kg	<b>GHG 515 7506 R0001</b>

### Accessories

Type	OU	Order No.
Plug cap 4-pole/5-pole	1	<b>GHG 510 1901 R0007</b>
Set of ring cable lug 70/120 mm <sup>2</sup> for wall socket (je 4 + 1 pcs.)	1	<b>GHG 260 1911 R0004</b>
Set of cable lugs 50 mm <sup>2</sup> (5 pcs., for plug)	5	<b>GHG 510 1916 R0002</b>

Other voltage ranges and versions available on request

KU = 1 x plastic cable glands M63 for Ø 27-48 mm, 1 x M40 plastic Ex-screw plug

KH = 1 x plastic cable glands M63 for Ø 27-48 mm,

1 x plastic cable glands M25 for Ø 8 - 17 mm, with aux. contact

ME = 2 x metal thread M50 with plastic Ex-screw plug

GM = 2 x metal thread M50 with screw plug, with external earth bolt M8



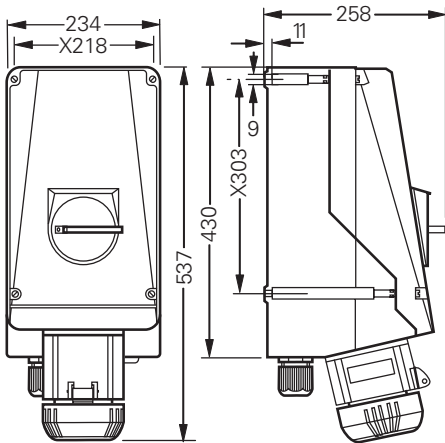
Plug



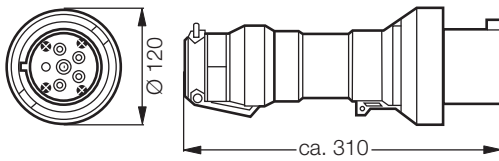
Wall socket

1

Dimension drawing | Wiring diagram



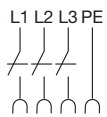
Wall socket 4/5-pole



Plug 4/5-pole

X = fixing dimensions

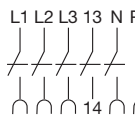
without  
aux. contact



3P + PE

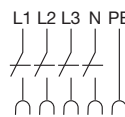


with  
aux. contact



3P + AUX + PE

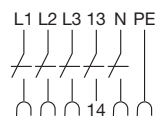
without  
aux. contact



3P + N + PE



with  
aux. contact



3P + N + AUX + PE