

**| Zone 2: 125A 4- and 5-pole up to 690 V |**

1



Wall socket



Plug

**Technical data**

**Ex-plugs and receptacles acc. to IEC 60309-1/2 to 690 V**

Marking accd. to 94/9/EC	⊕ II 3 G Ex de IIC T6
EC-Type Examination Certificate	PTB 99 ATEX 1115
Permissible ambient temperature	-20 °C to + 40 °C <sup>1)</sup>
Rated voltage	690 V
Rated current	125 A
Frequency	up to 400 Hz
Rated making / Rated breaking capacity AC-3 accd. EN 60947-3	U <sub>e</sub> 690 V / I <sub>e</sub> 125 A
External back up fuse	without therm. protection: 125 A with therm. protection: 160 A gL (rated current 125 A set to)
Protection class	I
Degree of protection accd. to EN 60529	IP66
Enclosure colour	black

**Wall socket**

Cable entry/enclosure drilling	1 x M63 Ø 27 - 48 mm, 1 x M63 plastic Ex-screw plug or 1 x M50 Ø 21 - 35 mm, 1 x M50 plastic Ex-screw plug
Connecting terminals	2 x 4 - 50 mm <sup>2</sup> / with cable lug <sup>2)</sup> 1 x 120 mm <sup>2</sup>
Enclosure material	glass-fibre reinforced polyester

**Plug**

Cable entry	Ø 31 - 58 mm
Connecting terminals	1 x 4 - 35 mm <sup>2</sup> / with pin cable lug <sup>3)</sup> 1 x 50 mm <sup>2</sup>
Enclosure material	Polyamide

<sup>1)</sup> extended temperature range on request

<sup>2)</sup> use supplied cable lugs

<sup>3)</sup> see accessories



1

**Ordering details**

Voltage	h	Type	Cable entry	Weight approx.	Order No.
<b>Type 125 A 4-pole</b>					
200-250 V		Wall socket	KU	12.3 kg	<b>GHG 519 4409 R0001</b>
		Wall socket	ME	12.5 kg	<b>GHG 519 4409 R3001</b>
		Plug		0.9 kg	<b>GHG 519 7409 R0001</b>
380-415 V		Wall socket	KU	12.3 kg	<b>GHG 519 4406 R0001</b>
		Wall socket	ME	12.5 kg	<b>GHG 519 4406 R3001</b>
		Plug		0.9 kg	<b>GHG 519 7406 R0001</b>
480-500 V		Wall socket	KU	12.3 kg	<b>GHG 519 4407 R0001</b>
		Wall socket	ME	12.5 kg	<b>GHG 519 4407 R3001</b>
		Plug		0.9 kg	<b>GHG 519 7407 R0001</b>
600-690 V		Wall socket	KU	12.3 kg	<b>GHG 519 4405 R0001</b>
		Wall socket	ME	12.5 kg	<b>GHG 519 4405 R3001</b>
		Plug		0.9 kg	<b>GHG 519 7405 R0001</b>
<b>Type 125 A 5-pole</b>					
200-250 V		Wall socket	KU	13 kg	<b>GHG 519 4506 R0001</b>
380-415 V		Wall socket	ME	13.2 kg	<b>GHG 519 4506 R3001</b>
		Plug		1.2 kg	<b>GHG 519 7506 R0001</b>

**Accessories**

Type	OU	Order No.
Plug cap 4-pole/5-pole	1	<b>GHG 510 1901 R0007</b>
Set of ring cable lugs 70/120 mm <sup>2</sup> for wall socket (4 + 1 pcs.)	5	<b>GHG 260 1911 R0004</b>
Set of cable lugs 50 mm <sup>2</sup> (5 pcs., for plug)	5	<b>GHG 510 1916 R0002</b>

other voltage ranges and versions, e.g. with aux. contact, on request

KU = 1 x plastic cable glands M40 Ø 17-28 mm, 1 x M40 plastic Ex-screw plug

ME = 2 x metal thread M32 with plastic Ex-screw plug

**| Zone 2: 125A 4- and 5-pole up to 690 V |**

1

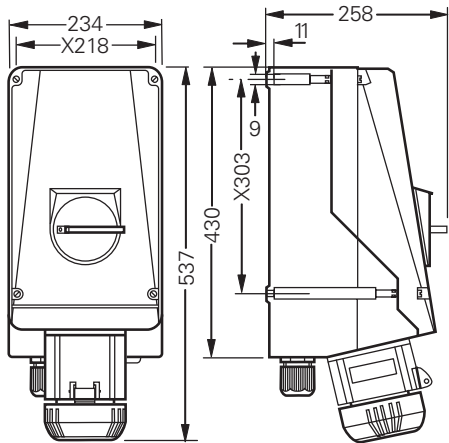


Wall socket

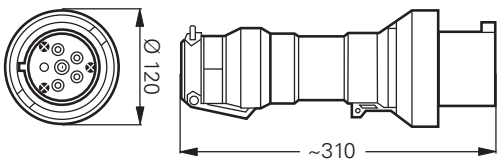


Plug

**Dimension drawing | Wiring diagram**



Wall socket 4/5-pole



Plug 4/5-pole

X = fixing dimensions

