



Technical data

Ex-plugs and receptacles acc. to IEC 60309-1/2 up to 690 V

Marking accd. to 94/9/EC	Ⓔ II 3 G Ex nC IIC T6
EC-Type Examination Certificate	PTB 99 ATEX 1115
Permissible ambient temperature	-20 °C to + 40 °C ¹⁾
Rated voltage	690 V
Rated current	63 A
Frequency	up to 400 Hz
Rated making / Rated breaking capacity AC-3 accd. EN 60947-3	U _e 690 V / I _e 63 A
External back up fuse	without therm. protection: 63 A with therm. protection: 80 A gL (rated current 63 A set to)
Protection class	I
Degree of protection accd. to EN 60529	IP66
Enclosure colour	black

Wall socket

Cable entry/enclosure drilling	1 x M50 Ø 22 - 35 mm, 1 x M50 plastic Ex-screw plug or 2 x M40 metal thread with plastic Ex-screw plug
Connecting terminals	2 x 4 - 25 mm ² / with cable lug ²⁾ 1 x 35 mm ²
Enclosure material	glass-fibre reinforced polyester

Plug

Cable gland	Ø 19 - 34 mm
Connecting terminals	1 x 4 - 16 mm ² / 1 x 25 mm ² with pin cable lug
Enclosure material	Polyamide

¹⁾ extended temperature range on request

²⁾ use supplied cable lugs

³⁾ see accessories

Zone 2: 63 A 4- and 5-pole up to 690 V

1



Wall socket



Plug



Plug cap

Ordering details

Voltage	h	Type	Cable entry	Weight approx.	Order No.
Type 63 A 4-pole					
200-250 V		Wall socket	KU	8.1 kg	GHG 518 4409 R0001
		Wall socket	ME	8.2 kg	GHG 518 4409 R3001
		Plug		0.75 kg	GHG 518 7409 R0001
380-415 V		Wall socket	KU	8.1 kg	GHG 518 4406 R0001
		Wall socket	ME	8.2 kg	GHG 518 4406 R3001
		Plug		0.75 kg	GHG 518 7406 R0001
480-500 V		Wall socket	KU	8.1 kg	GHG 518 4407 R0001
		Wall socket	ME	8.2 kg	GHG 518 4407 R3001
		Plug		0.75 kg	GHG 518 7407 R0001
600-690 V		Wall socket	KU	8.1 kg	GHG 518 4405 R0001
		Wall socket	ME	8.2 kg	GHG 518 4405 R3001
		Plug		0.75 kg	GHG 518 7405 R0001
Type 63 A 5-pole					
200-250 V		Wall socket	KU	8.15 kg	GHG 518 4506 R0001
380-415 V		Wall socket	ME	8.25 kg	GHG 518 4506 R3001
		Plug		0.75 kg	GHG 518 7506 R0001

Accessories

Plug cap for plugs

Type	OU	Order No.
Set of ring cable lug 35/70 mm ² for wall socket (6 + 2 pcs.)	1	GHG 510 1916 R0001
Plug cap 4-pole/5-pole	1	GHG 510 1901 R0006
Set of cable lugs 35 mm ² (5 pcs., for plug)	5	GHG 510 1916 R0001

other voltage ranges and versions, e.g. with aux. contact, on request

KU = 1 x plastic cable glands M40 Ø 17-28 mm, 1 x M40 plastic Ex-screw plug

ME = 2 x metal thread M32 with plastic Ex-screw plug



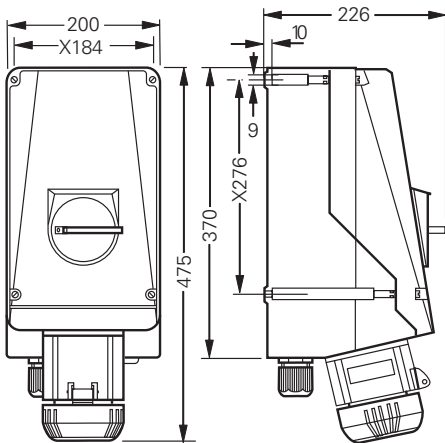
Plug



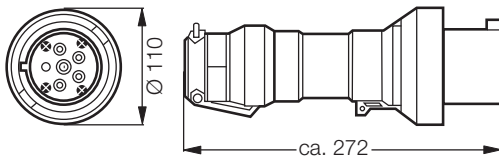
Wall socket

1

Dimension drawing | Wiring diagram



Wall socket 4/5-pole



Plug 4/5-pole

X = fixing dimensions

