

## Ordering details

Type	Lamp / illuminant	Rated luminous flux of the luminaire	Weight	Cable gland/ thread	Screw plug	Order No.
<b>NFMV LED</b>						
NFMV 5L CY/UNV1 76 M20	LED System 64 W <sup>1)</sup>	4386 lm	17.7 kg	2 x M20, metal thread, 1 x M20 cable gland Ø 10 - 16 mm	1 x M20	<b>1 2340 323</b>
NFMV 7L CY/UNV1 76 M20	LED System 89 W <sup>1)</sup>	6720 lm	17.7 kg	2 x M20, metal thread, 1 x M20 cable gland Ø 10 - 16 mm	1 x M20	<b>1 2313 518</b>
NFMV 9L CY/UNV1 76 M20	LED System 121 W <sup>1)</sup>	8478 lm	18.0 kg	2 x M20, metal thread, 1 x M20 cable gland Ø 10 - 16 mm	1 x M20	<b>1 2311 134</b>
NFMV 11L CY/UNV1 76 M20	LED System 149 W <sup>1)</sup>	10420 lm	18.3 kg	2 x M20, metal thread, 1 x M20 cable gland Ø 10 - 16 mm	1 x M20	<b>1 2263 524</b>
NFMV 13L CY/UNV1 76 M20	LED System 179 W <sup>1)</sup>	12940 lm	18.3 kg	2 x M20, metal thread, 1 x M20 cable gland Ø 10 - 16 mm	1 x M20	<b>1 2340 329</b>



Type	Lamp / illuminant	Rated luminous flux	Weight	Cable gland/ thread	Screw plug	Order No.
<b>NFMV</b>						
NFMV HSE 150 W, 230 V 50 Hz	HSE 150 W	14000 lm	15.5 kg	2 x M20, metal thread	1 x M20	<b>NOR 000 005 180 021</b>
NFMV HSE 150 W, 240 V 50 Hz	HSE 150 W	14000 lm	15.5 kg	2 x M20, metal thread	1 x M20	<b>NOR 000 005 180 022</b>
NFMV HSE/HIE 250 W, 230 V 50 Hz	HSE/HIE 250 W	25000 lm / 19000 lm	16.9 kg	2 x M20, metal thread	1 x M20	<b>NOR 000 005 180 024</b>
NFMV HSE/HIE 250 W, 240 V 50 Hz	HSE/HIE 250 W	25000 lm / 19000 lm	16.9 kg	2 x M20, metal thread	1 x M20	<b>NOR 000 005 180 025</b>
NFMV HSE/HIE 400 W, 230 V 50 Hz	HSE/HIE 400 W	48000 lm / 33000 lm	15.5 kg	2 x M20, metal thread	1 x M20	<b>NOR 000 005 180 027</b>
NFMV HSE/HIE 400 W, 240 V 50 Hz	HSE/HIE 400 W	48000 lm / 33000 lm	15.5 kg	2 x M20, metal thread	1 x M20	<b>NOR 000 005 180 028</b>



<b>NSSFMV</b>						
NSSFMV SY 150 230 50 M25	150 W HSE	14000 lm	16.9 kg	2 x M25, metal thread	2 x M25	<b>CCL 110 3421</b>
NSSFMV MY 150 230 50 M25	150 W HIE	11000 lm	17.5 kg	2 x M25, metal thread	2 x M25	<b>CCL 110 3422</b>
NSSFMV SY 250 230 50 M25	250 W HSE	25000 lm	17.5 kg	2 x M25, metal thread	2 x M25	<b>CCL 110 3469</b>
NSSFMV MY 250 230 50 M25	250 W HIE	19000 lm	17.5 kg	2 x M25, metal thread	2 x M25	<b>CCL 110 3470</b>
NSSFMV SY 400 230 50 M25	400 W HSE	48000 lm	18.6 kg	2 x M25, metal thread	2 x M25	<b>CCL 110 3517</b>
NSSFMV MY 400 230 50 M25	400 W HIE	33000 lm	18.9 kg	2 x M25, metal thread	2 x M25	<b>CCL 110 3518</b>



<sup>1)</sup>scope of delivery

## Accessories

Type	Content	OU	Rated luminous flux	Order No.
Slip fitter 2" for pole mounting		1		<b>3 2346 001 002</b>
HSE 150 W	high pressure sodium lamp 150 W E40	1	14000 lm	<b>NOR 000 000 511 300</b>
HSE 250 W	high pressure sodium lamp 250 W E40	1	25000 lm	<b>CGS 3238 600 P1009</b>
HSE 400 W	high pressure sodium lamp 400 W E40	1	48000 lm	<b>CGS 3238 700 P1009</b>
HIE 150 W	Metal-halide lamp 150 W	1	11000 lm	<b>on request</b>
HIE 250 W	Metal-halide lamp 250 W	1	17000 lm	<b>CGS 323 7990 P1007</b>
HIE 400 W	Metal-halide lamp 400 W	1	33000 lm	<b>CGS 323 7990 P1008</b>



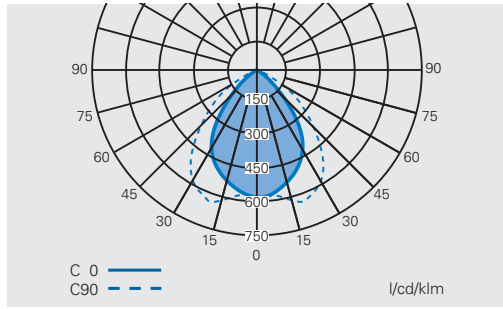
Scope of delivery without lamp and fixing accessories, if not stated otherwise.  
Metal cable glands see catalogue part 2: 2.3.12 ff

# 4.11

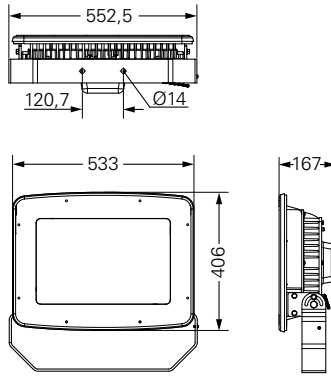
## Dimension drawing / Polar curve

NFMV / NSSFMV

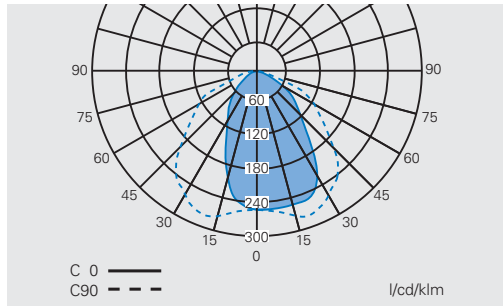
**Polar curve NFMV LED**



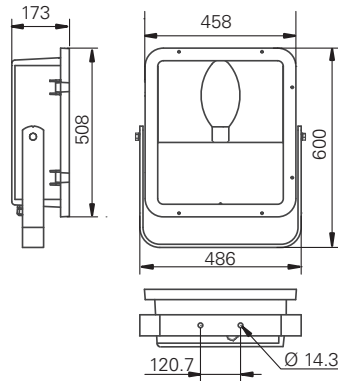
**NFMV LED**



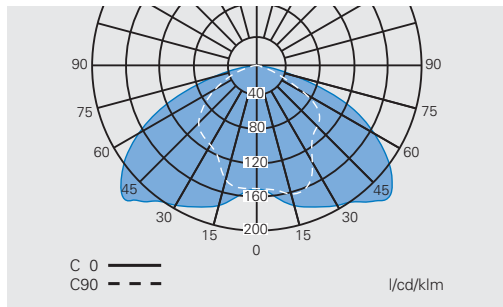
**Polar curve NFMV 150 - 400 W**



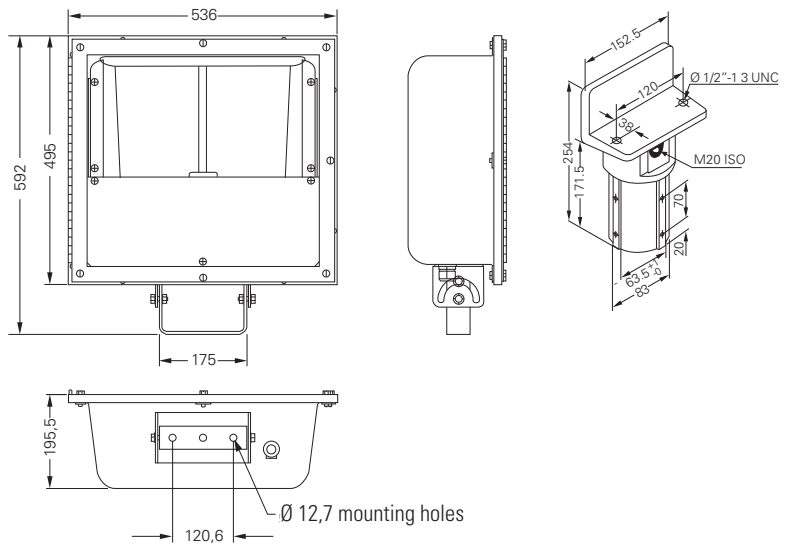
**NFMV**



**Polar curve NSSFMV**



**NSSFMV**



Dimensions in mm



Technical data

4

NFMV LED	
Type Examination Certificate	DEMKO 12 ATEX 115535X
IECEX Certificate of Conformity	IECEX Certificate of Conformity
Marking accd. to 94/9/EC	Ⓢ II 3 G Ex nA nR IIC T4/T5 Gc Ⓢ II 3 D Ex tc IIIC T68°C Dc IP66
Marking accd. to IECEx	Ex nA nR IIC T4/T5 Gc Ex tc IIIC T68°C Dc IP66
Permissible ambient temperature	-30 °C up to +55 °C
Rated voltage	100 - 277 V AC / 108 - 250 V DC
Frequency	50 - 60 Hz
Power factor cos φ	≥ 0.85
Circuit	electronic driver
Protection class	I
Lamp / Illuminant	LED System 64 - 179 W
Light colour	5600 K
Dimensions (L x W x H)	533 x 167 x 406 mm
Connecting terminals	L, N and PE; 2 x 4 mm <sup>2</sup>
Enclosure colour	grey
Enclosure material	light alloy with powder coating
Weight	see table luminaire data
Cable glands / gland plates / enclosure drilling	2 x M20 x 1.5, 1 x M20 plugged
Type of mounting	mounting bracket
Degree of protection accd. to EN 60529	IP66
Protective cover / protective bowl	borosilicate glass



Additional luminaire data

Type	Power	Weight	Rated luminous flux of the luminaire	Temperature class II 2 G	
				TU ≤ 40 °C	TU ≤ 55 °C
<b>NFMV LED</b>					
NFMV 5L LED	64 W	17.7 kg	4386 lm	T5	T4
NVMV 7L LED	89 W	17.7 kg	6720 lm	T5	T4
NVMV 9L LED	121 W	18.0 kg	8478 lm	T5	T4
NVMV 11L LED	149 W	18.3 kg	10420 lm	T5	T4
NVMV 13L LED	179 W	18.3 kg	12940 lm	T5	T4



## 4 Technical data

	NFMV	NSSFMV
Type Examination Certificate	DEMKO 10 ATEX 0907694	LCIE 11 ATEX 1014 X (Gas) LCIE 11 ATEX 3101 X (Staub)
EC-Type Examination Certificate	DEMKO 10 ATEX 147285	
IECEX Certificate of Conformity		IECEX CQM 12.0004X
Marking accord. to 94/9/EC	⊕ II 3 G Ex nR II T3 ⊕ II 2 D Ex tD A21 IP66 T <sup>2)</sup>	⊕ II 3 G Ex nR II T3/T2 ⊕ II 3 D Ex tb IIIC T <sup>2)</sup> Db
Marking accord. to IECEx		Ex nR IIC T3/T2 Gc Ex tb IIIC T125°C/T205°C IP66
Permissible ambient temperature	-25 °C up to +55 °C (< 400 W) -25 °C up to +50 °C (400 W)	-45 °C up to +55 °C (≤ 250 W)/ -45 °C up to +50 °C (400 W)
Rated voltage	230 V <sup>1)</sup>	230 V <sup>1)</sup>
Frequency	50 Hz <sup>1)</sup>	50 Hz <sup>1)</sup>
Power factor cos φ	≥ 0.9	≥ 0.9
Protection class	I	I
Lamp / Illuminant	HSE/HIE lamp 150 - 400 W	HSE/HIE lamp 150 - 400 W
Lamp cap	E40 accord. IEC 60238	E40 accord. IEC 60238
Rated luminous flux	<sup>1)</sup>	<sup>1)</sup>
Light efficiency in operation	60 %	68 %
Dimensions (L x W x H)	600 x 458 x 173 mm	592 x 535 x 193 mm
Connecting terminals	L, N and PE; 2 x 4 mm <sup>2</sup>	L, N, PE max. 2 x 2.5 mm <sup>2</sup>
Enclosure colour	grey	natural
Enclosure material	light alloy with powder coating	stainless steel
Weight	15.5 kg	16.9 kg
Cable glands / gland plates / enclosure drilling	2 x M20 x 1.5 thread, 1 x M20 plugged	2 x M20 x 1.5 thread, 1 x M20 plugged
Type of mounting	mounting bracket	mounting bracket
Degree of protection accord. to EN 60529	IP66	IP66
Protective cover / protective bowl	borosilicate glass	borosilicate glass

## Additional luminaire data NFMV and NSSFMV

Type	Power	Rated luminous flux <sup>3)</sup>	Temperature class II 2 G			max. surface temp. II 2 D		
			T <sub>0</sub> ≤ 40 °C	T <sub>0</sub> ≤ 50 °C	T <sub>0</sub> ≤ 55 °C	T <sub>0</sub> ≤ 40 °C	T <sub>0</sub> ≤ 50 °C	T <sub>0</sub> ≤ 55 °C
<b>NFMV...</b>								
HSE	150 W	14000 lm	T5	T3	--	T100 °C	T200 °C	--
HSE	250 W	25000 lm	T5	T3	--	T100 °C	T200 °C	--
HIE	250 W	19000 lm	T3		T3	T200 °C		T200 °C
HSE / HIE	400 W	48000 lm / 33000 lm	T3	T3	--	T200 °C	T200 °C	--
<b>NSSFMV...</b>								
HSE / HIE	150 W	14000 lm / 11000 lm	T4	T3	T3	T125 °C	T135 °C	T140 °C
HSE / HIE	250 W	25000 lm / 19000 lm	T3	T3	T3	T160 °C	T170 °C	T175 °C
HSE / HIE	400 W	48000 lm / 33000 lm	T3	T2	--	T195 °C	T205 °C	--

<sup>1)</sup> other frequencies on request<sup>2)</sup> see table luminaire data<sup>3)</sup> depends on used lamps